

W1G200-EC87-25

## EC axial fan - ESM

sickled blades (S series)

ESM wall ring



**ebm-papst Mulfingen GmbH & Co. KG**

Bachmühle 2

D-74673 Mulfingen

Phone: +49(0)7938/81-0

Fax: +49(0)7938/81-110

[info1@de.ebmpapst.com](mailto:info1@de.ebmpapst.com)

[www.ebmpapst.com](http://www.ebmpapst.com)

### Nominal data

Type	W1G200-EC87-25	
Motor	M1G055-BD	
Phase		1~
Nominal voltage	VAC	230
Frequency	Hz	50/60
Type of data definition		ml
Speed	min <sup>-1</sup>	1300
Power input	W	8
Current draw	A	0.07
Min. ambient temperature	°C	-30
Max. ambient temperature	°C	50

ml = max. load · me = max. efficiency · rfa = running at free air · cs = customer specs · cu = customer unit  
Subject to alterations

W1G200-EC87-25

## EC axial fan - ESM

sickled blades (S series)

ESM wall ring

### Technical features

Leakage current	<= 0.25 mA
Size	200 mm
Operation mode	S1
Direction of rotation	Counter-clockwise, seen on rotor
Mounting position	Any
EMC harmonics	Acc. to EN 61000-3-2/3
EMC interference emission	Acc. to EN 61000-6-3
EMC interference immunity	Acc. to EN 61000-6-2
Humidity class	F3-1
Direction of air flow	"V"
Insulation class	"B"
Cable exit	Lateral
Condensate discharge holes	None
Motor bearing	Ball bearing
Mass	1.0 kg
Material of impeller	PA plastic 6, fibreglass-reinforced
Material of wall ring	Plastic, PPTD 20
Motor protection	Thermal overload protector (TOP) wired internally
Product conforming to standard	CE
Number of blades	5
Type of protection	IP 54
Protection class	II
Technical features	<ul style="list-style-type: none"> <li>- Over-temperature protected motor</li> <li>- Soft start</li> <li>- Speed selection max/min</li> </ul>
Max. permissible ambient motor temp. (transp./ storage)	+80 °C
Min. permissible ambient motor temp. (transp./storage)	-40 °C
Approval	VDE

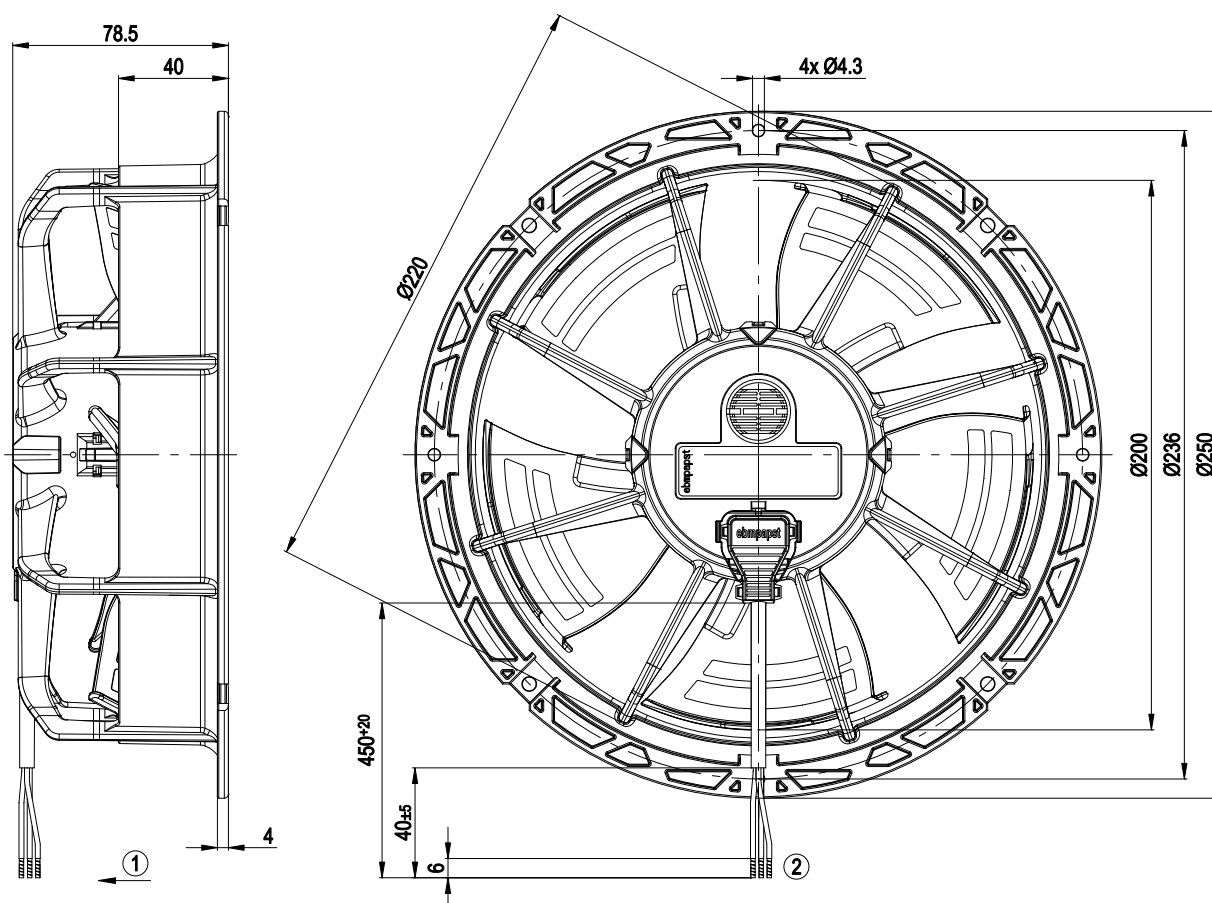
W1G200-EC87-25

## EC axial fan - ESM

sickled blades (S series)

ESM wall ring

### Product drawing



- |   |  |
|---|--|
| 1 | Direction of air flow "V"                              |
| 2 | Connection line PVC AWG20; 3 x brass lead tips crimped |



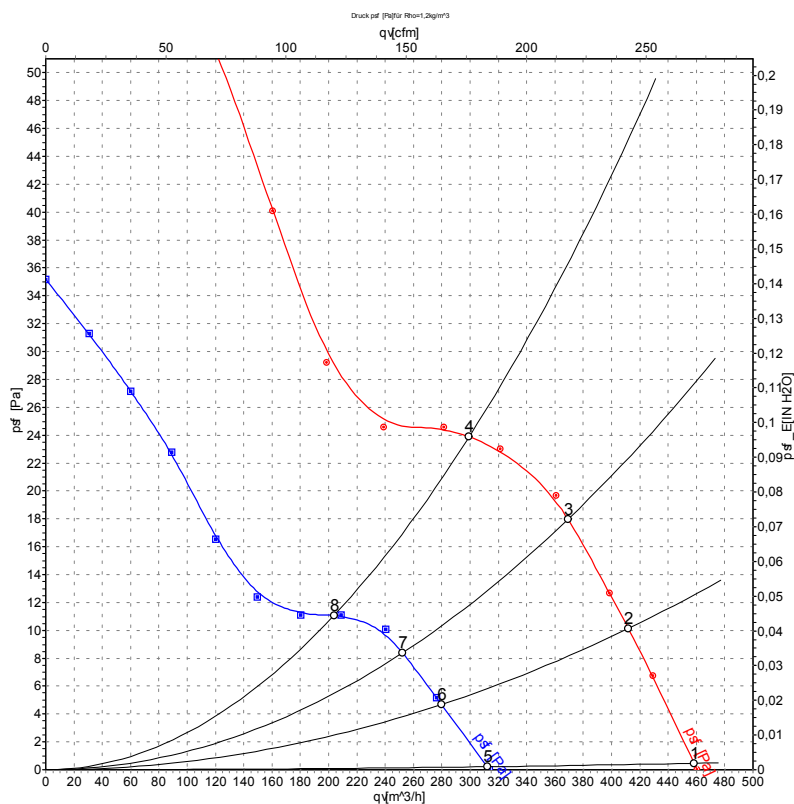
W1G200-EC87-25

# EC axial fan - ESM

sickled blades (S series)

ESM wall ring

## Charts: Air flow 50 Hz



Measurement: LU-113354  
Measurement: LU-113366

Air performance measured as per ISO 5801 Installation Category A. For detailed information on the measuring set-up, please contact ebm-papst. Suction-side noise levels: LwA measured as per ISO 13347 / LpA measured with 1m distance to fan axis. The values given are valid under the measuring conditions mentioned above and may vary according to the actual installation situation. With any deviation from the standard set-up, the specific values have to be checked and reviewed with the unit installed.

## Measured values

	U	f	n	P <sub>1</sub>	I	LpA <sub>in</sub>	LwA <sub>in</sub>	η <sub>Ges</sub>	qv	p <sub>sf</sub>
	V	Hz	min <sup>-1</sup>	W	A	dB(A)	dB(A)	%	m <sup>3</sup> /h	Pa
1	230	50	1300	7	0.06	42	49	28	460	0
2	230	50	1300	8	0.07	41	48	32	410	10
3	230	50	1300	8	0.07	41	48	34	370	18
4	230	50	1300	8	0.07	42	49	31	300	24
5	230	50	900	3	0.03	33	41	0	310	0
6	230	50	900	4.0	0.04	32	41	0	280	5
7	230	50	900	4	0.04	32	40	0	250	8
8	230	50	900	4.0	0.04	33	40	0	205	11